

## PRODUCT WARRANTY

**GENERAL WARRANTY.** PCTEL, Inc. ("PCTEL") warrants that the PCTEL antenna products furnished herewith shall be free from defects in material and workmanship for a period of two (2) years from the date of shipment by PCTEL under normal use and operation; provided, however, that (a) MPRC and MPRD parabolic reflector antennas, Bluewave series antennas, and PCTEL bulk cable products are similarly warranted for five (5) years from the date of shipment by PCTEL; (b) PCTEL enclosure and coaxial cable assembly products are similarly warranted for one (1) year from the date of shipment by PCTEL; and (c) PCTEL data line surge and PCT series coaxial surge products are similarly warranted for ten (10) years from the date of shipment by PCTEL. PCTEL's sole and exclusive obligation under the foregoing warranty shall be, at its option, to repair or replace any defective product that fails during the warranty period. The expense of removal and reinstallation of any item is not included in this warranty. THE FOREGOING WARRANTY IS EXCLUSIVE AND IN LIEU OF ALL OTHER WARRANTIES, EXPRESS OR IMPLIED, INCLUDING THE IMPLIED WARRANTIES OF MERCHANTABILITY AND FITNESS FOR A PARTICULAR PURPOSE AND ANY WARRANTIES ARISING FROM A COURSE OF DEALING, USAGE OR TRADE PRACTICE WITH RESPECT TO THE PRODUCTS. Repair or replacement in the manner provided herein shall be the sole and exclusive remedy of the buyer for breach of warranty and shall constitute fulfillment of all liabilities of PCTEL with respect to the quality and performance of the product.

**EXCEPTIONS.** PCTEL DOES NOT WARRANT THAT THE OPERATION OF THE PRODUCTS IS ERROR-FREE OR THAT OPERATION WILL BE UNINTERRUPTED. IN NO EVENT SHALL PCTEL BE LIABLE FOR: (i) ANY SPECIAL, INCIDENTAL OR CONSEQUENTIAL DAMAGES TO THE BUYER OR ANY THIRD PARTY ARISING OUT OF THESE TERMS AND CONDITIONS OR ANY DEFECTIVE PRODUCT WHETHER THE DEFECT IS WARRANTED AGAINST OR NOT, WHETHER THE CLAIM IS BASED UPON CONTRACT, TORT, STRICT LIABILITY OR OTHERWISE, (ii) ANY AMOUNT EXCEEDING THE PURCHASE PRICE OF THE PRODUCT, (iii) SYSTEM PERFORMANCE, INCLUDING COVERAGE, (iv) THE BUYER'S SELECTION OF PRODUCTS FOR THE BUYER'S APPLICATION, AND/OR (iv) FAILURE OF PRODUCTS TO MEET GOVERNMENT OR REGULATORY REQUIREMENTS. The foregoing general warranty shall apply only if: (a) the product has been properly installed and used at all times in accordance, in all material respects, with the applicable product documentation; (b) no modification, alteration or addition has been made to the product by persons other than PCTEL or PCTEL's authorized representatives or otherwise approved by PCTEL in writing; and (c) the product has not been subjected to abuse, misuse, neglect or unusual physical, electrical or electromagnetic stress, or some other type of accident.

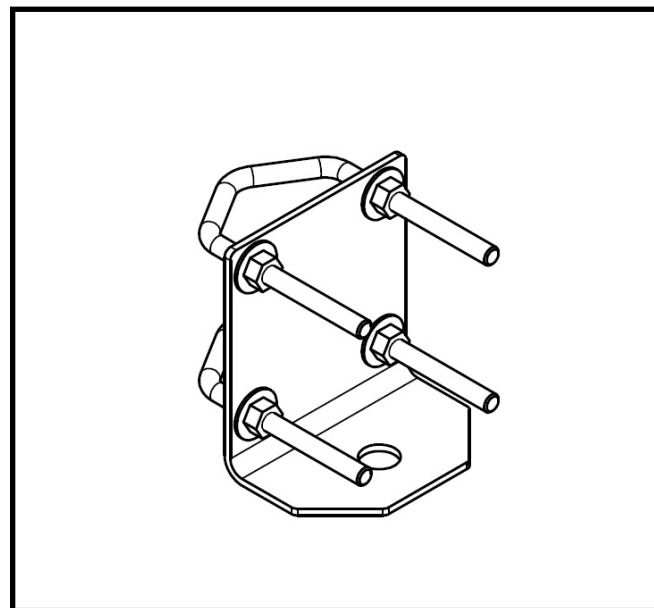
**WARRANTY PROCEDURES:** In the event of a warranty claim, the buyer must contact PCTEL to arrange for product return. No product will be accepted for replacement or repair without first obtaining a Return Material Authorization (RMA) number from PCTEL Customer Service by telephone to 630.372.6800 or by email to [antenna.techsupport@pctel.com](mailto:antenna.techsupport@pctel.com). PCTEL reserves the right to inspect all defective products. Products returned without an RMA number will not be processed and will be returned to the buyer freight collect. The warranty period of any repaired or replaced product shall not extend beyond its original term.

Equipment to be repaired or replaced under warranty is to be returned, freight prepaid, to the following address with the assigned RMA number displayed on the box:

**PCTEL, Inc.**  
Attention: RMA Coordinator  
471 Brighton Drive  
Bloomington, Illinois 60108 U.S.A.



**471 Brighton Drive  
Bloomington, IL 60108**



**BAM 1009 Mount**

© 2017 PCTEL, Inc.  
All Rights Reserved

*MIS-BAM1009-ATT*

# INSTALLATION INSTRUCTIONS

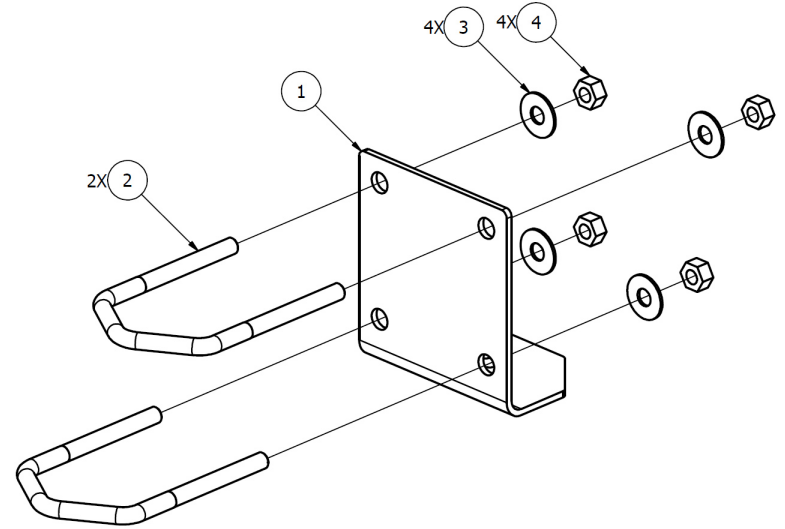
Read these instructions thoroughly before installation or assembly. Follow the sequence for proper assembly and operation.

## Tools Required:

(1) 5/16" open end wrench

## Parts List:

ITEM	QTY	PART NUMBER	DESCRIPTION
1	1	P03157	BRACKET, L-MOUNT, OMNI MFB, CHROMATE
2	2	RG-U51618-275-001-EXK	U-BOLT, 5/16"-18 UNC, 2.75"C-C, (3.62"-4.09" CLR), ELECTRO GALVANIZED
3	4	RG-W-516-004-EXK	FLAT WASHER, 5/16", ELECTRO-GALVANIZED ZINC, GR. 2
4	4	RG-N-51618-003-EXK	HEX NUT, 5/16"-18 UNC, ELECTRO-GALVANIZED ZINC, GR. 2



### Step 1:

Position L-Mount (Item 1) in desired location on stationary location. Push U-Bolts (Item 2) through L-Mount (Item 1).

### STEP 2:

Line the bracket up on the mounting surface and tighten U-Bolts (Item 2) with four (4) Flat Washer (Item 3) and four (4) Hex Nuts to (Item 4). Start with the bottom U-Bolt to get the alignment correct.

### STEP 3:

Make sure mount is secure before mounting antenna.

